

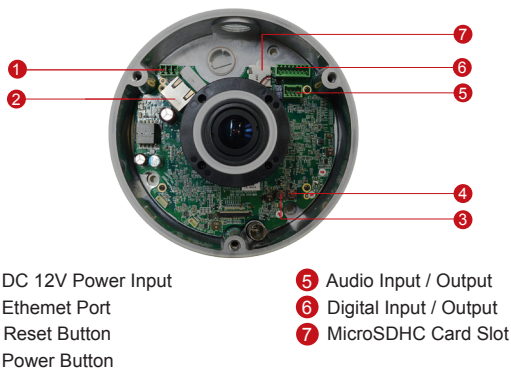
KCM-7911

4M Outdoor Hemispheric with D/N, Advanced WDR, SLLS, ePTZ, Fisheye Lens

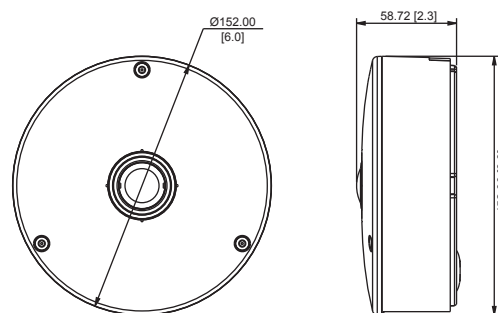


- 4 Megapixel with 1080p
- Day & Night with Superior Low Light Sensitivity
- Fisheye Lens with f1.05mm / F2.8
- Advanced WDR (80 dB)
- 12 fps at 1920 x 1080
- 180/360° Panorama View with Dewarping
- Weatherproof (IP66)

PHOTO INDICATION



DIMENSION DIAGRAM



ACCESSORY OPTIONS

Power Adapter

PPBX-0002



Universal Power Adapter, 100~240V, 4 different connectors included

Popular Mounting Solutions

| | | |
|----------|------------------------|--|
| Surface | PMAX-0802 | |
| Wall | PMAX-0310 | |
| Pendant | PMAX-0101 PMAX-0103 | |
| Pole | PMAX-0310 PMAX-0503 | |
| Gang box | PAX-0804 | |

* For more mounting solutions, please refer to Project Planner on www.acti.com

PRODUCT SPECIFICATION**KCM-7911****• Device**

| | |
|--------------------------------|--|
| Device Type | Outdoor Hemispheric Camera |
| Image Sensor | Progressive Scan CMOS |
| Sensor Size | 1/2.5" (5.7 x 4.28 mm) |
| Day / Night | Yes |
| Superior Low Light Sensitivity | Yes |
| Minimum Illumination | Color: 1.63 lux at F2.8 (30 IRE, 2400°K); B/W: 0.06 lux at F2.8 (30 IRE, 2400°K) |
| Color to B/W switch | ISP based switch, configurable |
| Mechanical IR Cut Filter | Yes |
| IR Sensitivity Range | 700 - 1100 nm |
| IR LED | No |
| Electronic Shutter | 1/5 ~ 1/2,000 sec (manual mode); 1/5 ~ 1/10,000 sec (auto mode) |

• Lens

| | |
|--------------------------|------------------------------|
| Focal Length / Aperture | Fisheye lens, 1.05 mm / F2.8 |
| Iris | Fixed iris |
| Focus | Fixed focus |
| Horizontal Viewing Angle | 180° |

• Video

| | |
|-----------------------------------|--|
| Compression | H.264, MPEG-4 SP, MJPEG |
| Maximum Frame Rate vs. Resolution | 6 fps at 2032 x 1920; 12 fps at 1920 x 1080; 12 fps at 1280 x 720; 12 fps at 640 x 480 |
| Mode | Fisheye View; Dewarped View: 180° / 360° Panorama, ePTZ, 6 VGA, Motion Detection Preset |
| Multi-Streaming | Simultaneous dual streams based on two configurations in single view mode; Multiple streams based on single configuration in 6 cropped VGA mode |
| Bit Rate | 28 Kbps - 6 Mbps (per stream) |
| Bit Rate Mode | Constant, Variable |
| Image Enhancement | Advanced WDR, White balance: automatic, hold and manual; Brightness; Saturation; Contrast; Edge enhancement; Automatic gain control; 2D+3D Digital noise reduction; Flickerless; Defogging |
| Privacy Mask | 4 configurable regions |
| Text Overlay | User defined text on video |

• Audio

| | |
|-------------|--|
| Compression | 8 kHz, Mono, PCM, 16 bit encoding; G.711 |
| Audio-In | Terminal block |
| Audio-Out | Terminal block |

• Network

| | |
|--------------------|--|
| Protocol & Service | TCP, UDP, HTTP, HTTPS, DHCP, PPPoE, RTP, RTSP, IPv6, DNS, DDNS, NTP, ICMP, ARP, IGMP, SMTP, FTP, UPnP, SNMP, Bonjour |
| Ethernet Port | 1, Ethernet (10/100 Base-T), RJ-45 connector |
| Security | IP address filtering; HTTPS encryption; Password protected user levels; IEEE 802.1X network access control |

• Alarm

| | |
|----------------|--|
| Alarm Trigger | Video motion detection (3-6 regions, depending on video mode); External device through digital input |
| Alarm Response | Notify control center; Go to ePTZ preset point or preset tour; Change camera settings; Command other devices; E-mail notification with snapshots; Save video or snapshot to local storage; Upload video, Snapshot to FTP server; Activate external device through digital output |

• Interface

| | |
|----------------|--|
| Digital Input | 2, terminal block |
| Digital Output | 2, terminal block |
| Local Storage | MicroSDHC memory card slot (card not included) |

• General

| | |
|----------------------------|--|
| Power Source / Consumption | PoE Class 3 (IEEE 802.3af) / 9.6W DC 12V / 7.68W (adapter not included) |
| Weight | 800 g (1.76 lb) |
| Dimensions (Ø x H) | 152mm x 58.72mm (6" x 2.3") |
| Mount Type | Surface, Pendant, Wall, Corner, Pole, Ceiling, Gang box |
| Starting Temperature | -20°C ~ 50°C (-4°F ~ 122°F) within 30 minutes |
| Operating Temperature | -40 °C ~ 50°C (-40°F ~ 122°F) |
| Operating Humidity | 10% ~ 85% RH |
| Approvals | CE (EN 55022 Class B, EN 55024), FCC (Part15 Subpart B Class B), IP66 |

• Integration

| | |
|-------------------------|---|
| Unified Solution | Fully compatible with ACTi software |
| ISV Integration | Software Development Kit (SDK) available; ONVIF compliant |
| Firmware Access Browser | Microsoft Internet Explorer 8.0 or newer |