

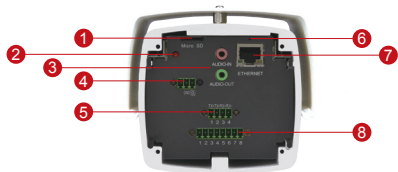
KCM-5511

2M Outdoor Box with D/N, IR, Advanced WDR, SLLS, 22x Zoom lens



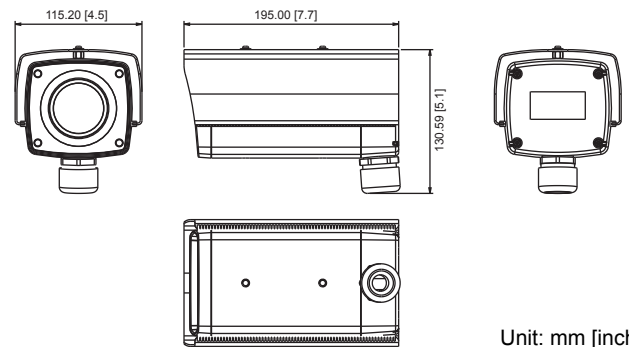
- 2 Megapixel with 1080p
- Day & Night with Superior Low Light Sensitivity and IR LED
- 22x Zoom Lens with f3.2-70.4/F1.6-3.8, DC iris, Auto Focus
- Advanced WDR (80 dB)
- 15 fps at 1920 x 1080
- Weatherproof (IP66)

PHOTO INDICATION



- | | |
|------------------------|--------------------------|
| 1 MicroSDHC Card Slot | 5 Serial Port |
| 2 Power LED | 6 Reset Button |
| 3 Audio Input / Output | 7 Ethernet Port |
| 4 DC 12V Power Input | 8 Digital Input / Output |

DIMENSION DIAGRAM



Unit: mm [inch]

ACCESSORY OPTIONS

Camera Bracket

PMAX-1101



Aluminum, max. load 10 kg (22.05 lb), tilt angle 90°, swivel angle 360°

Pan & Tilt Scanner

Third party Pan & Tilt Scanners available at: www.acti.com/pantilt/

Power Adapter

PPBX-0002



Universal Power Adapter, 100~240V, 4 different connectors included

Popular Mounting Solutions

Corner	PMAX-1101 PMAX-0402	
Pole	PMAX-1101 PMAX-0503	

* For more mounting solutions, please refer to Project Planner on www.acti.com

PRODUCT SPECIFICATION**KCM-5511****• Device**

Device Type	Box Camera
Image Sensor	Progressive Scan CMOS
Sensor Size	1/3.2" (4.5 x 3.4 mm)
Day / Night	Yes
Superior Low Light Sensitivity	Yes
Minimum Illumination	Color: 0.1 lux at F1.6 (30 IRE, 2400°K); B/W: 0 lux (IR LED on)
Color to B/W switch	ISP based switch, configurable
Mechanical IR Cut Filter	Yes
IR Sensitivity Range	700 - 1100 nm
IR LED	IR LED x 24 (850 nm)
IR Working Distance	20m (0 lux, 30 IRE, Max Exposure Gain)
Electronic Shutter	1/5 ~ 1/2,000 sec (manual mode); 1/5 ~ 1/10,000 sec (auto mode)

• Lens

Focal Length / Aperture	Zoom, f3.2 - 70.4 mm / F1.6 - 3.8
Zoom Ratio	22x optical
Iris	DC Iris
Focus	Auto Focus
Horizontal Viewing Angle	57.1° - 3.0°

• Video

Compression	H.264, MPEG-4 SP, MJPEG
Maximum Frame Rate vs. Resolution (H.264, MJPEG)	15 fps at 1920 X 1080; 30 fps at 1280 x 720; 30 fps at 640 x 480
Maximum Frame Rate vs. Resolution (MPEG-4 SP)	11 fps at 1920 X 1080; 25 fps at 1280 x 720; 30 fps at 640 x 480
Multi-Streaming	Simultaneous dual streams based on two configurations
Bit Rate	28 Kbps - 6 Mbps (per stream)
Bit Rate Mode	Constant, Variable
Image Enhancement	Advanced WDR (80 dB); White balance: automatic, hold and manual; Brightness; Saturation; Contrast; Sharpness; Automatic gain control; 2D+3D Digital noise reduction; Flickerless; Defogging
Privacy Mask	4 configurable regions
Text Overlay	User defined text on video
Image Orientation	Image flip and mirror

• Audio

Compression	8 kHz, Mono, PCM, 16 bit encoding; G.711
Audio-In	3.5mm Phone Jack
Audio-Out	3.5mm Phone Jack

• Network

Protocol & Service	TCP, UDP, HTTP, HTTPS, DHCP, PPPoE, RTP, RTSP, IPv6, DNS, DDNS, NTP, ICMP, ARP, IGMP, SMTP, FTP, UPnP, SNMP, Bonjour, Pelco-D, Pelco P
Ethernet Port	1, Ethernet (10/100 Base-T), RJ-45 connector
Security	IP address filtering; HTTPS encryption; Password protected user levels; IEEE 802.1X network access control

• Alarm

Alarm Trigger	Video motion detection (3 regions); External device through digital input
Alarm Response	Notify control center; Go to Zoom preset point or preset tour; Change camera settings; Command other devices; E-mail notification with snapshots; Save video or snapshot to local storage; Upload video, snapshot to FTP server; Activate external device through digital output

• Interface

Digital Input	2, terminal block
Digital Output	2, terminal block
Serial Port	RS-485, RS-422, terminal block
Local Storage	MicroSDHC memory card slot (card not included)

• General

Power Source / Consumption	PoE Class 3 (IEEE802.3af) / 7.92W (IR on) DC 12V / 9.8W (adapter not included)
Weight	1350 g (2.98 lb)
Dimensions (W x H x D)	115.20mm x 130.59mm x 195.00mm (4.50" x 5.10" x 7.70")
Environmental Casing	Weatherproof (IP66 rated)
Starting Temperature	-10°C ~ 50°C (14°F ~ 122°F) within 30 minutes
Operating Temperature	-30°C ~ 50°C (-22°F ~ 122°F)
Operating Humidity	10% ~ 85% RH
Approvals	CE (EN 55022 Class A, EN 55024), FCC (Part15 Subpart B Class A), IP66

• Integration

Unified Solution	Fully compatible with ACTi software
ISV Integration	Software Development Kit (SDK) available ; ONVIF compliant
Firmware Access Browser	Microsoft Internet Explorer 8.0 or newer (full functionality); Other browsers with VLC installed (partial functionality)