

LTC 0465 Series Dinion Day/Night Cameras

www.boschsecurity.com



BOSCH
Invented for life



- ▶ 1/3 inch format CCD sensor
- ▶ 540 TVL resolution
- ▶ Mechanically switching IR filter for IR sensitivity at night
- ▶ Bilinx Communication for remote set-up and control
- ▶ Auto-detection of lens type with LensWizard

The Dinion Day/Night Camera is a professional surveillance day/night camera that incorporates 10-bit digital signal processing. The camera is easy to install and ready to use, offering good quality picture performance.

All Dinion cameras are delivered ready to operate. Simply attach and focus the lens, then connect power. The camera automatically detects the lens type. The Lens Wizard ensures accurate back focusing for sharp pictures at all times. The camera parameters can be individually set using the control buttons on the side of the camera and On-screen Display (OSD).

Functions

Day/Night Mode

The LTC 0465 has enhanced night or low-light viewing compared to normal color cameras. The IR filter can switch from color to monochrome automatically to improve scenes when light levels have been reduced or to make use of infrared light. An internal through-the-lens IR detector enhances the monochrome mode stability as it prevents reverting to the color mode when IR illumination is dominant.

Auto Black

The automatic black level feature enhances contrast by compensating for reduced contrast (i.e. glare, fog, mist).

Bilinx Technology

Bilinx is a bi-directional communication capability embedded in the video signal of all Bosch Dinion cameras. Technicians can check status, change camera settings, and even update firmware from virtually anywhere along the video cable. Bilinx reduces service and installation time, provides for more accurate set-up and adjustment, and improves overall performance. In addition, Bilinx uses the standard video cable to transmit alarm and status messages, providing superior performance without additional installation steps.

Lens Wizard

The Lens Wizard automatically detects the lens type and helps focus the lens at the maximum opening, thus ensuring proper focus maintenance throughout the 24-hour cycle. No special tools or filters are required.

Typical Applications

- Museums and art galleries
- Shopping centers
- Offices
- Schools, colleges, and universities
- Petrol/gas stations

Certifications and Approvals

Electro Magnetic Compatibility

Emission	EN55022 class B, FCC class B part 15
Immunity	EN50130-4 Alarm Systems, Part 4
Vibration	Camera with 500 gr (1.1 lbs) lens according to IEC60068-2-27

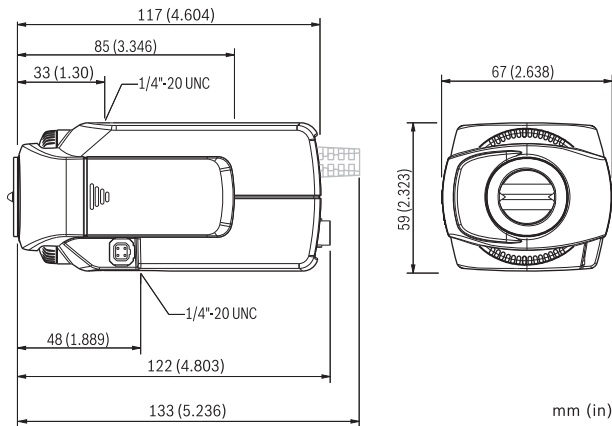
Safety

LTC 0465/11 and LTC 0465/51: EN60065
 LTC 0465/21 and LTC 0465/61: UL6500, cUL CAN/CSA E60065-00

Region	Certification
--------	---------------

Europe	CE
USA	FCC + UL

Installation/Configuration Notes



Parts Included

Quantity	Component
1	LTC 0465 Series Dinion Day\Night Camera
1	Spare male 4 – pin lens connector (lens not included)
1	Installation and Operation manual (multi-lingual)

Technical Specifications

Electrical

Model No.	Rated Voltage	
LTC 0465/11	12 – 28 VAC	45 - 65 Hz
	11 – 36 VDC	
LTC 0465/21	12 – 28 VAC	45 - 65 Hz
	11 – 36 VDC	
LTC 0465/51	110 – 230 VAC	45 - 65 Hz
LTC 0465/61	110 – 230 VAC	45 - 65 Hz

Power Consumption	4 W		
CCD Type	1/3-inch interline		
Active Pixels			
PAL Model:	752 x 582		
NTSC Model	768 x 494		
Sensitivity (3200 K, scene reflectivity 89%, F1.2)			
	Full video (100 IRE)	Usable picture (50 IRE)	Usable picture (30 IRE)
Color	2.6 lx (0.26 fc)	0.65 lx (0.065 fc)	0.30 lx (0.03 fc)
Mono	1.04 lx (0.104 fc)	0.26 lx (0.026 fc)	0.012 lx (0.0012 fc)
Horizontal Resolution	540 TVL		
Day/Night	Color, Mono, Auto		
Dynamic range	60 db (10-bit image processing)		
Signal-to-Noise Ratio	> 50 dB		
BLC	On (center window weighted), Off		
Gain	20 dB max.		
White Balance	ATW (2500 - 10000 K), AWB hold, Manual WB selectable		
Shutter	Auto (1/60 (1/50) to 1/150000), fixed, flickerless		
Auto Black	Automatic, Continuous, Off		
Synchronization	Internal, Line Lock selectable		
Lens Mount	CS (maximum lens protrusion 5 mm, 0.2 in), C-mount compatible with adapter ring		
Lens Types	Manual, DC iris and Video iris auto-detect with override DC-iris drive: max. 50 mA continuous Video-iris: 11.5 ± 0.5 VDC, max 50 mA continuous		
Remote Control	Bilinx coaxial communication		
Camera ID	16 character editable string, position selectable		
Alarm Input (TTL)	+5 V nominal, +40 VDC max		
Alarm Output	Bilinx or monochrome		
Alarm Output Relay	Max. 30 VAC or +40 VDC, Max 0,5 A continuous, 10 VA		
Video Output	1 Vpp, 75 Ohm		

Mechanical

Dimensions (H x W x L)	58 x 66 x 122 mm (2.28 x 2.6 x 4.8 in) without lens
Weight	450 g (0.99 lbs) without lens
Color	RAL 7035 Light Grey
Tripod Mount	Bottom (isolated) and top 1/4-inch 20 UNC

Environmental

Operating Temperature	-20°C to +50°C (-4°F to 122°F)
Storage Temperature	-40°C to +70°C (-40°F to +158°F)
Operating Humidity	20% to 93% RH
Storage Humidity	up to 98% RH

Ordering Information**LTC 0465/11 Dinion Day/Night Camera**

1/3-inch, 540 TVL, PAL, DSP, 12 – 28 VAC/11 – 36 VDC, 50 Hz
Order number **LTC0465/11**

LTC 0465/21 Dinion Day/Night Camera

1/3-inch, 540 TVL, NTSC, DSP, 12 – 28 VAC/11 – 36 VDC, 60 Hz
Order number **LTC0465/21**

LTC 0465/51 Dinion Day/Night Camera

1/3-inch, 540 TVL, PAL, DSP, 110 – 240 VAC, 50 Hz
Order number **LTC0465/51**

LTC 0465/61 Dinion Day/Night Camera

1/3-inch, 540 TVL, NTSC, DSP, 110 – 230 VAC, 60 Hz
Order number **LTC0465/61**

Accessories**LTC 3364/21 Varifocal Lens IR corrected**

1/3-inch, 2.8 – 6 mm, DC-iris, CS-mount F1.4-200, 4-pin
Order number **LTC3364/21**

LTC 3664/40 Varifocal Lens IR corrected

1/3-inch, 2.8 – 11 mm, DC-iris, CS-mount F1.4-360, 4-pin
Order number **LTC3664/40**

LTC 3674/20 Varifocal Lens IR corrected

1/3-inch, 7.5 – 50 mm, DC-iris, CS-mount F1.3-360, 4-pin
Order number **LTC 3674/20**

LTC 3764/20 Varifocal Lens IR corrected

1/2-inch, 4 – 12 mm, DC-iris, C-mount, F1.2-360, 4-pin
Order number **LTC3764/20**

LTC 3774/30 Varifocal Lens IR corrected

1/2-inch, 10 – 40 mm, DC-iris, C-mount, F1.4-360, 4-pin
Order number **LTC3774/30**

EX12LED-3BD-8M Infrared Illuminator

EX12LED IR Illuminator, 850 nm, 30 deg beam
Order number **EX12LED-3BD-8M**

EX12LED-3BD-8W Infrared Illuminator

EX12LED, IR Illuminator, 850 nm, 60 deg beam
Order number **EX12LED-3BD-8W**

EX12LED-3BD-9M Infrared Illuminator

EX12LED IR Illuminator, 940 nm, 30 deg beam
Order number **EX12LED-3BD-9M**

EX12LED-3BD-9W Infrared Illuminator

EX12LED, IR Illuminator, 940 nm, 60 deg beam
Order number **EX12LED-3BD-9W**

TC8235GIT Ground Loop Isolation Transformer

Order number **TC8235GIT**

S1374 Adapter

converts C mount lens to CS mount camera
Order number **S1374**

UPA-2410-60 Power Supply

120 VAC, 60 Hz, 24 VAC, 10 VA Out
Order number **UPA-2410-60**

UPA-2430-60 Power Supply

120 VAC, 60 Hz, 24 VAC, 30 VA Out
Order number **UPA-2430-60**

UPA-2450-60 Power Supply, 120 V, 60 Hz

Indoor, 120 VAC, 60 Hz In; 24 VAC, 50 VA Out
Order number **UPA-2450-60**

UPA-2420-50 Power Supply

220 VAC, 50 Hz, 24 VAC, 20 VA Out
Order number **UPA-2420-50**

UPA-2450-50 Power Supply, 220 V, 50 Hz

Indoor, 220 VAC, 50 Hz In; 24 VAC, 50 VA Out
Order number **UPA-2450-50**

VP-RS2BLNX Protocol Converter

RS-232 / RS-485 infrastructure, Bilinx to USB adaptor for use with configuration tool for dome/cameras.
Order number **VP-RS2BLNX**

VP-USB Cable

USB to BNC adaptor
Order number **VP-USB**

Software Options**VP-CFGSFT Configuration Software**

for cameras using Bilinx, includes VP-USB Adaptor
Order number **VP-CFGSFT**

Represented by:

Americas:

Bosch Security Systems, Inc.
130 Perinton Parkway
Fairport, New York, 14450, USA
Phone: +1 800 289 0096
Fax: +1 585 223 9180
security.sales@us.bosch.com
www.boschsecurity.us

Europe, Middle East, Africa:

Bosch Security Systems B.V.
P.O. Box 80002
5617 BA Eindhoven, The Netherlands
Phone: + 31 40 2577 284
Fax: +31 40 2577 330
emea.securitysystems@bosch.com
www.boschsecurity.com

Asia-Pacific:

Robert Bosch (SEA) Pte Ltd, Security
Systems
11 Bishan Street 21
Singapore 573943
Phone: +65 6571 2808
Fax: +65 6571 2699
apr.securitysystems@bosch.com
www.boschsecurity.asia

China:

Bosch (Shanghai) Security Systems Ltd.
201 Building, No. 333 Fuquan Road
North IBP
Changning District, Shanghai
200335 China
Phone +86 21 22181111
Fax: +86 21 22182398
www.boschsecurity.com.cn

America Latina:

Robert Bosch Ltda Security Systems Division
Via Anhanguera, Km 98
CEP 13065-900
Campinas, Sao Paulo, Brazil
Phone: +55 19 2103 2860
Fax: +55 19 2103 2862
al.securitysystems@bosch.com
www.boschsecurity.com