

# VIP XD Single/Quad-stream Decoder

www.boschsecurity.com



**BOSCH**  
Invented for life



- ▶ Quad-view option
- ▶ DVD-quality 25/30 ips at 4CIF
- ▶ Ultra-compact size
- ▶ Composite video or VGA output
- ▶ Alarm inputs and relay output

The VIP XD displays DVD-like quality H.264, MPEG-4 and MPEG-2 encoded video at up to 25/30 images per second from PAL or NTSC sources over IP networks. Establish the video connections automatically with the encoder, decoder, or Bosch's comprehensive video management system. Set up the VIP XD to display video in single-view or quad-view mode. It is capable of decoding up to four video streams at the same time. Control the viewing mode remotely via a management system like VIDOS. Alternatively, the VIP XD can drive a VGA display directly, thus is ideally suited for applications like flat-screen monitor walls. The VIP XD is available as an audio model, providing one-channel bidirectional audio communication in parallel to video. Besides the standard line level interface, it has integrated amplifiers to connect directly to a microphone and speaker. Ultra-compact in size, the VIP XD is perfect for any application that depends on space-saving solutions.

## Functions

### Access Security

The VIP XD decoders offer various security levels for accessing the network, the unit, and the data channels. As well as password protection with two levels, they support 802.1x authentication using a

RADIUS server for identification. You can secure Web browser access by HTTPS using a SSL certificate that is stored in the unit. For total data protection, each communication channel—video, audio, or serial I/O—can be independently AES encrypted with 128-bit keys, once the Encryption Site License has been applied.

### High Performance

Transmit IP video to a high-performance VIP XD video decoder and present it with ultimate clarity on an analog CCTV or on a large, flat-screen VGA monitor. VIP XD can handle up to four 4CIF MPEG-4 video streams with full resolution and frame rate and display it in quad-view. When in single-view, it can display 4CIF video streams, encoded as either H.264, MPEG-4 or MPEG-2.

### Easy Upgrade

Remotely upgrade the VIP XD decoders whenever new firmware becomes available. This ensures up-to-date products, thus protecting investment with little effort.

### Decoding Performance

Encoding	Streams	Resolution	Max. bit rate
MPEG-2	1	4CIF/D1	6 Mbps
MPEG-4	4	4CIF	6 Mbps

H.264 BP+	1	4CIF	2.5 Mbps
H.264 BP	4	CIF	2 Mbps

**Certifications and Approvals**

**Approvals**

--	--

**Safety**

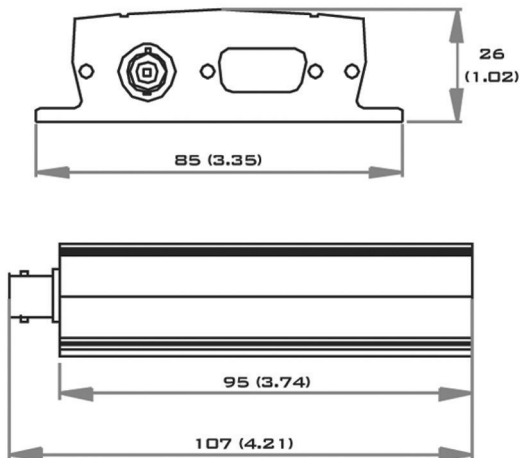
Region	Number
	IEC 60950

**Electromagnetic Compatibility**

Region	Number
EU	EN55103-1 Video and audio equipment
	EN55103-2 Video and audio equipment
	EN50130-4 Alarm systems
	EN55022 ITE
	EN55024 ITE
	EN61000-3-2
US	EN61000-3-3
	FCC 47 CFR Chapter 1 Part 15

Region	Certification	
Europe	CE	VIP X
	CE	VIP-X-PS
USA	UL	VIP X
	UL	Bosch Engineering UL online certifications directory (link)

**Installation/Configuration Notes**



Dimensions in mm (in)

**Front Connectors and Indicators**



Non-audio model

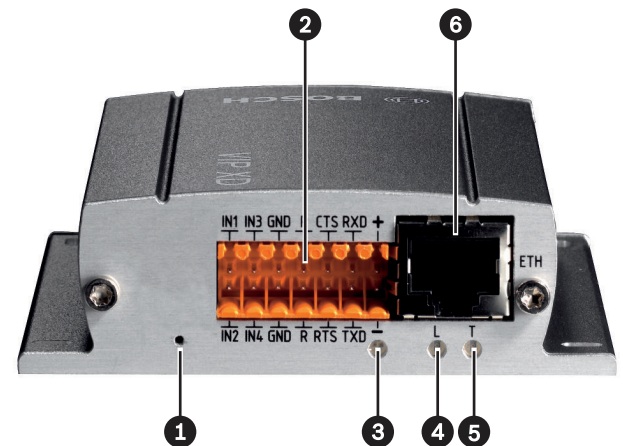
- 1 Video Out
- 2 VGA



Audio model

- 1 Video Out
- 2 Line In
- 3 Microphone in, speaker out
- 4 Line Out
- 5 VGA

**Rear Connectors and Indicators**



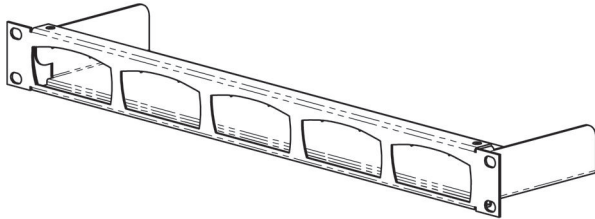
All models

- 1
- 2
- 3
- 4
- 5
- 6

### 3 | VIP XD Single/Quad-stream Decoder

1	Reset: factory default	4	LED Link
2	Alarm in, relay out, power, COM (RS-232/422/485)	5	LED Traffic
3	LED Power	6	10/100 Base-T Fast Ethernet

#### Rack Mounting Kit (Optional)



#### Parts Included

Quantity	Component
1	VIP XD single/quad-stream decoder, or VIP XDA single/quad-stream decoder with audio
1	International plug-in power supply
1	RS-232 null modem cable
1	Quick Installation Guide
1	CD-ROM with software and documentation

#### Technical Specifications

Electrical	
Power supply	VIP-X-PS included in the box
Input voltage	12 to 24 VDC
Power consumption	Approx. 7 VA
Input/output	
Video	1 x output
• connector	BNC
• impedance	75 ohm
• signal	Analog composite, 1 Vpp, NTSC or PAL
VGA	1 x output
• connector	15-pin Sub-D
• signal	1 Vpp, RGB analog
Audio (audio version only)	1 x mono line in, 1 x mono line out, 1 x microphone input, 1 x speaker output
• connector	2 x 3.5 mm stereo jack, 1 x CombiCon
• signal line in	9 kohm typical, 5.5 Vpp max
• signal line out	16 ohm min, 3.0 Vpp max

• signal microphone	2 kohm typical, 2.8 Vpp max at -20 dB, 2.3 Vpp typical
• signal speaker	4 ohm min, 6 Vpp max, 1 W RMS
Alarm	4 x input
• connector	Clamp (non-isolated closing contact)
• activation resistance	10 ohm max
Relay	1 x output
• connector	Clamp
• signal	30 Vpp (SELV), 2 A
COM port	Clamp, RS-232/422/485

#### Video

Standards	H.264 BP+ (ISO/IEC 14496-10) MPEG-4, MPEG-2
Data rates	Up to 6 Mbps per stream
Resolution	Horizontal x vertical PAL/NTSC
• 4CIF	704 x 576/480
• 2CIF	704 x 288/240
• 2/3 D1	464 x 576/480
• 1/2 D1	352 x 576/480
• CIF	352 x 288/240
• QCIF	176 x 144/120
GOP structure	I, IP
Overall IP delay	120 ms (MPEG-4)

#### Audio (audio version only)

Standard	G.711; 300 Hz to 3.4 kHz
Data rate	80 kbps at 8 kHz sampling rate

#### Network

Ethernet	10/100 Base-T, auto-sensing, half/full duplex, RJ45
Protocols	RTP, Telnet, UDP, TCP, IP, HTTP, HTTPS, FTP, DHCP, IGMP V2/V3, ICMP, ARP, SMTP, SNMP, SNMP (V1, MIB-II), 802.1x
Encryption	TLS 1.0, SSL, AES (optional)

#### Control

Software update	Flash ROM, remote programmable
Configuration	Configuration Manager or Web browser

<b>Mechanical</b>	
Dimensions (H x W x D)	26 x 85 x 107 mm (1.02 x 3.35 x 4.21 in)
Weight	Approx. 0.3 kg (0.66 lb)
<b>Environmental</b>	
Operating temperature	0 °C to +50 °C (+32 °F to +122 °F) ambient temperature
Relative humidity	0 to 95% atmospheric humidity, non-condensing
Thermal value	24 BTU/h max

## Ordering Information

### VIP-XD

H.264/MPEG-4/MPEG-2 single/quad-stream decoder, serial I/O, alarm in, relay  
Order number **VIP-XD**

### VIP-XDA

H.264/MPEG-4/MPEG-2 single/quad-stream decoder, audio, serial I/O, alarm in, relay  
Order number **VIP-XDA**

### Accessories

#### VIPRMK1HU

VIP X/10/1000 rack-mount kit for 5 units (1HU)  
Order number **VIPRMK1HU**

### VIP-X-PS

Power supply  
Order number **VIP-X-PS**

### Software Options

#### SFT-VASA Hybrid IP - Analog/Matrix Video over IP Integration Software

Order number **SFT-VASA**

### MVS-FENC-AES BVIP AES 128 Bit Encryption

BVIP AES 128-bit encryption site license. This license is required only once per installation. It enables encrypted communication between BVIP devices and management stations.  
Order number **MVS-FENC-AES**

### IP Matrix

BVIP IP Matrix license for decoder  
Order number **MVC-FIPM**

#### Represented by:

##### Americas:

Bosch Security Systems, Inc.  
130 Perinton Parkway  
Fairport, New York, 14450, USA  
Phone: +1 800 289 0096  
Fax: +1 585 223 9180  
security.sales@us.bosch.com  
www.boschsecurity.us

##### Europe, Middle East, Africa:

Bosch Security Systems B.V.  
P.O. Box 80002  
5617 BA Eindhoven, The Netherlands  
Phone: + 31 40 2577 284  
Fax: +31 40 2577 330  
emea.securitysystems@bosch.com  
www.boschsecurity.com

##### Asia-Pacific:

Robert Bosch (SEA) Pte Ltd, Security Systems  
11 Bishan Street 21  
Singapore 573943  
Phone: +65 6571 2808  
Fax: +65 6571 2699  
apr.securitysystems@bosch.com  
www.boschsecurity.asia

##### China:

Bosch (Shanghai) Security Systems Ltd.  
201 Building, No. 333 Fuquan Road  
North IBP  
Changning District, Shanghai  
200335 China  
Phone +86 21 22181111  
Fax: +86 21 22182398  
www.boschsecurity.com.cn

##### America Latina:

Robert Bosch Ltda Security Systems Division  
Via Anhanguera, Km 98  
CEP 13065-900  
Campinas, Sao Paulo, Brazil  
Phone: +55 19 2103 2860  
Fax: +55 19 2103 2862  
al.securitysystems@bosch.com  
www.boschsecurity.com